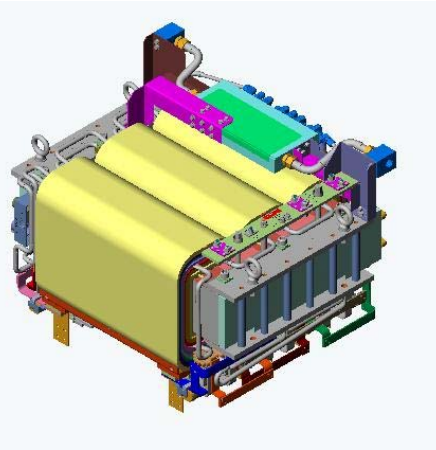


## MAGNETICS

### POWER TRANSFORMER - 12 PHASE AC/DC CONVERTER - Ground Based Radar Application



#### Features:

- 890kVA average power
- 24 pulse converter application
- Medium Voltage (4160V, 3 phase, 60Hz Input)
- Liquid Cooled
- Weight: 3200lbs

Espey Mfg. designed and manufactured this power transformer for a prime military contractor. The transformer design employs a proprietary heat exchange configuration which enables the transformer size and weight to be condensed to that specified.

The transformer provides isolation and rectifier duty phase displaced low voltage, high current outputs (12 @ 840AMPS).

#### Specifications:

##### *Electrical Specifications*

- **Input:** 4160V, 60Hz, 3 Phase
- **Output:** 12 phase, 150V, 15degree positive phase displacement, 840AMP  
3 phase, 208/120V, 42AMP
- **Rating:** 890kVA Total continuous

Current transformers on each 840AMP secondary  
Fuse holder and fused outputs at 208/120V

##### *Mechanical Specifications*

- **Weight:** 3200lbs
- **Size:** 39L x 32D x 30D
- **Insulation System:** 200°C
- **Coolant:** De-ionized water at 7GPM
- **Shock:** MIL-STD-202, method 213B, test A
- **Vibration:** MIL-STD-202, method 204D, test A, f<500Hz

Rev. A