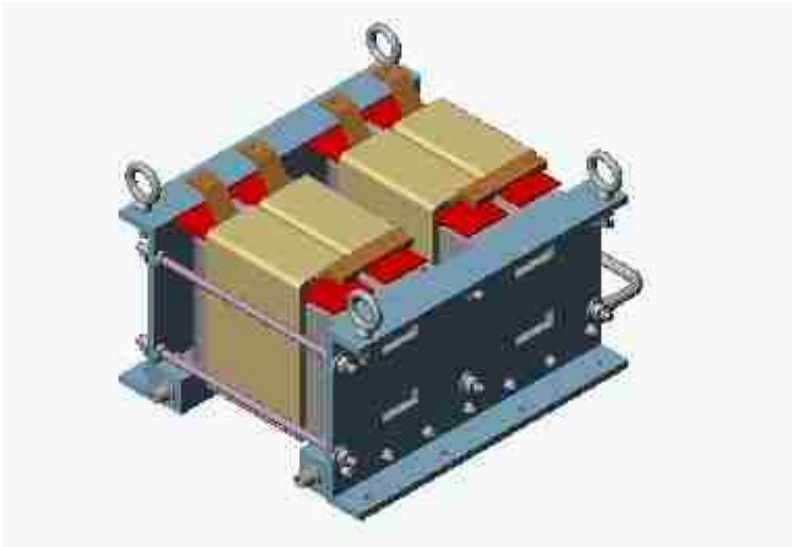


## MAGNETICS

### INDUCTOR - PWM Filter Inductor



#### Features:

- Liquid cooled
- Navy Shipboard Propulsion Drive Application

Espey Mfg. designs and manufactures a series of liquid cooled filter inductors for a PWM drive application.

#### Specifications:

##### *Electrical Specifications*

- **Inductance:** 37.5uH ( $\pm$  5%)
- **Current Rating:** 340ADC  
up to 3kHz Modulation Frequency
- **PWV:** 6kV

##### *Mechanical Specifications*

- **Insulation class:** 200°C
  - **Weight:** 220 lbs
- VPI – Vacuum Pressure Impregnated  
Liquid Cooled

Rev. B