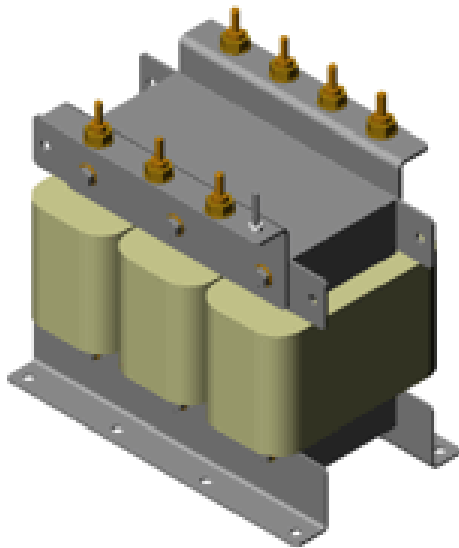


10kVA POWER TRANSFORMER

3 Phase Transformer, Naval Application

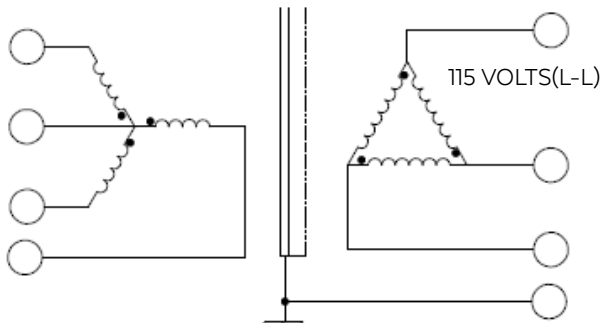
this application:



Features:

- Wye : Delta Transformer
- Input voltage: 120/208, Output voltage: 115
- Designed and constructed to meet requirements of MIL-PRF-27

120/208 VOLTS (L-L)
50/60 Hz



10kVA POWER TRANSFORMER

Specifications:

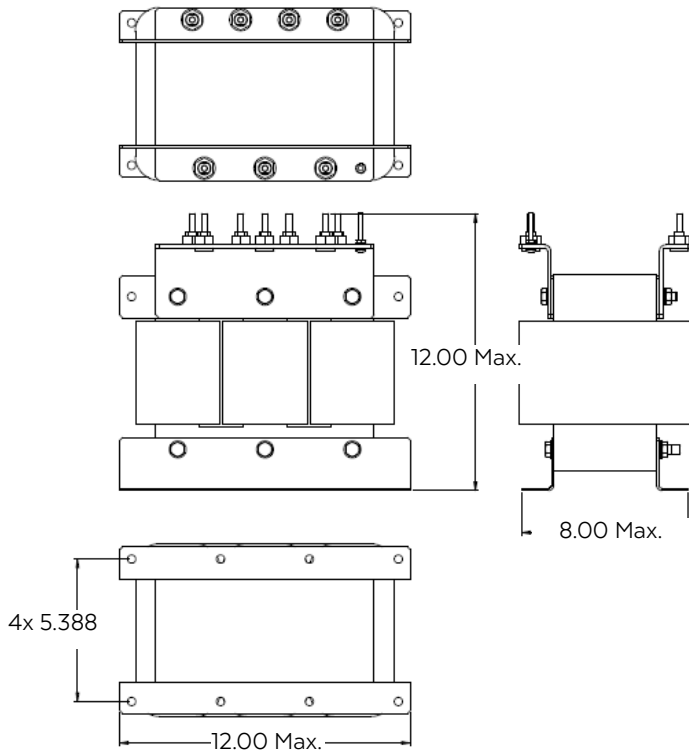
ELECTRICAL SPECIFICATIONS

Input:	Voltage: 120/208 Wye, 50/60Hz, 3 Phase Current: ~29.0A
Output :	Voltage: 115 Delta, 60Hz, 3 Phase Current: ~50.0A
Dielectric Strength:	2500VAC, 60Hz winding to core and case for 1 min.

MECHANICAL SPECIFICATIONS

Weight:	90lbs max
Insulation System:	200°C
Cooling:	Natural Convection
Vibration:	MIL-STD-167-I, Type 1, Interval 4-15
Shock:	Vertical ± 15.0 , Lateral ± 10.0 , Longitudinal ± 10.0
Operating Temperature:	+10°C to +90°C
Winding Temperature:	+140 °C
Altitude:	Sea level to 8000ft above sea level

MECHANICAL DRAWING:



10K-va