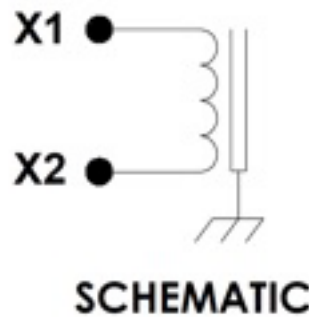


## INDUCTOR - 17kVA, 31.3mH

Navy Shipboard Application



### Features:

- 17kVA rated, passive cooled
- MIL-S-901D hock
- Splashproof enclosure
- Insulation class 200°C per MIL-E-917
- Efficiency 98% at full rated current and voltage.
- Peak Inrush current 700A

Espey designed and manufactures this 17kVA, 31.5mH inductor to support Naval shore power applications.

# FILTER INDUCTOR

## Specifications:

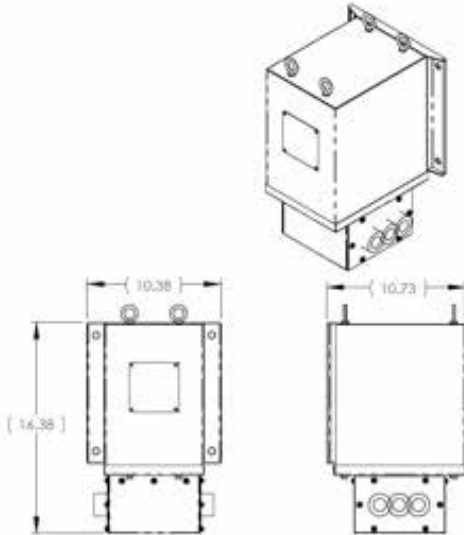
### ELECTRICAL SPECIFICATIONS

RATING:	31.3mH $\pm$ 5% at 450VAC, 60Hz
VOLTAGE:	440VAC, 60Hz
DIELECTRIC STRENGTH:	4000VAC, 60Hz winding to core and case for 1 minute
DUTY:	Continuous

### MECHANICAL SPECIFICATIONS

WEIGHT:	170lbs maximum
SHOCK CLASSIFICATION:	MIL-S-901D, Grade A, Class I, Type A
VIBRATION CLASSIFICATION:	MIL-STD-167-1
FINISH:	Light Gray semi-gloss enamel in accordance with MIL-E-15090

### MECHANICAL DRAWING



All dimensions are reference only and stated in inches

inductor EB-17-C