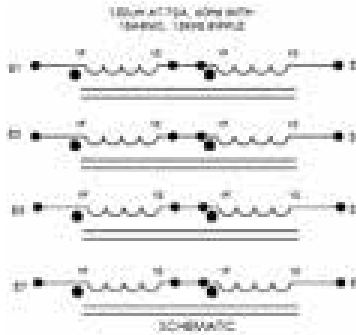


# LIQUID COOLED INDUCTOR

## Ground Vehicle Application



### Features:

- Liquid cooled
- Epoxy encapsulated
- Robust mounting and design
- Four bolt down points on cold plate to securely mount in circuit
- Designed to withstand high shock and vibration requirements of ground vehicle transportation

Espey designed and manufactures this liquid cooled dual inductor 150uH inductor to support ground vehicle power applications.

# FILTER INDUCTOR

---

## Specifications:

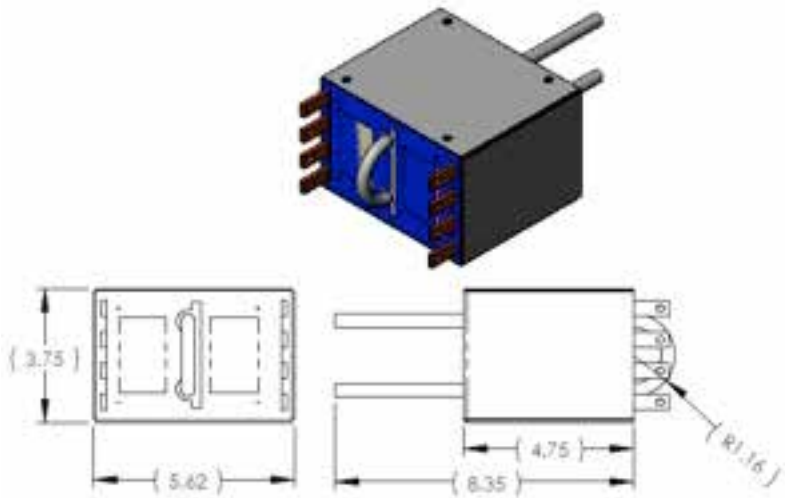
### **ELECTRICAL SPECIFICATIONS**

- Continuous current: 72 Arms @ 60 Hz
- Ripple current: 26 Arms @ 15 KHz
- Inductance per leg: 150 uH  $\pm$ 10%

### **MECHANICAL SPECIFICATIONS**

- Weight: 15 lbs maximum
- Pressure Drop: Less than 2 psi @ 4 Gpm
- Port Size: .375 inch OD

### **MECHANICAL DRAWING**



All dimensions are reference only and are stated in inches