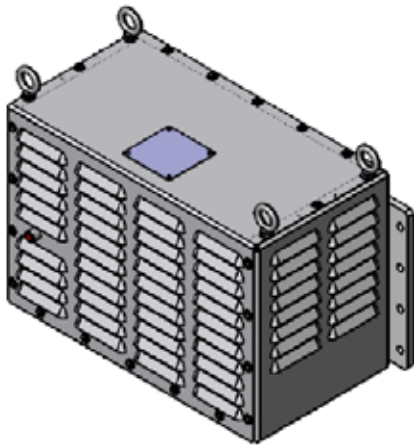


POWER TRANSFORMER

ABS-NVR Certified, Shipboard Power Distribution

this application:



Espey continues to be a primary supplier of distribution transformers for Naval applications. This 22.5kVA unit is one of a family of transformers including units between 3kVA and 75kVA power throughput.

All the transformers in the family were certified through the ABS-NVR standards, specifically Part 3 Chapter 3 Section 4.

Features:

- 22.5kVA Power Distribution Rated, Natural Convection Cooled
- Drip-proof (IP22) and Impact Shock Rated Enclosure per MIL-S-901D
- Available in Delta-Delta or Delta-Wye Configurations

Qualification:

- ABS-NVR
- MIL-STD-1399/300A, Type I
- MIL-S-901D, Grade A, Class I, Type A, Unrestricted Orientation
- MIL-E-15090, Type II, Class 2
- IEEE C57.12.01-1998
- IEC 60529, IP22

Filter Inductor

Specifications:

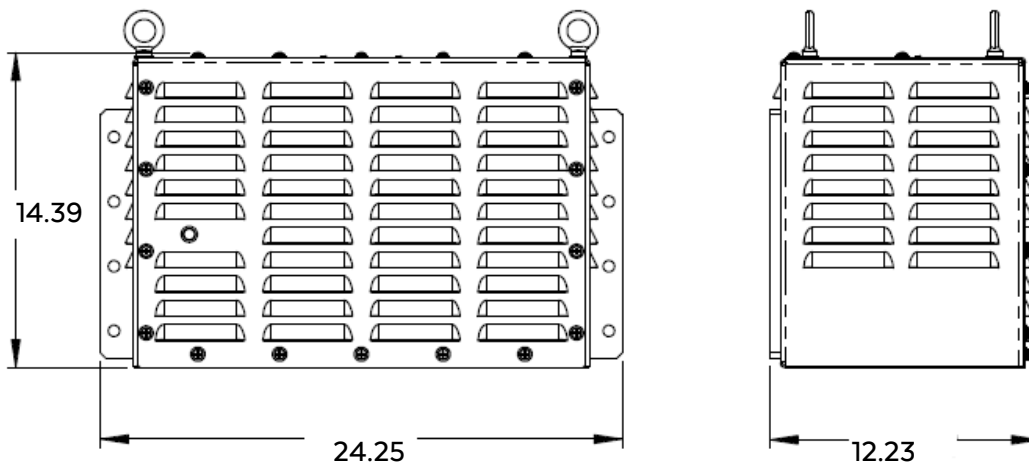
ELECTRICAL SPECIFICATIONS

| | |
|----------------------|--|
| Input Voltage | 450VAC, 60 Hz |
| Output Voltage | 208/120VAC, 60 Hz |
| Duty Cycle | Continuous |
| Dielectric Strength | 4000VAC, 60Hz Winding to Core and Case |
| Regulation | at 0.8 PF- 3.5%; at 1.0 PF- 3% |
| Exciting Current | 5% Max |
| Peak Inrush Current: | 575 Amps Max |

MECHANICAL SPECIFICATIONS

| | |
|------------------|---|
| Mechanical Specs | Mounting Bulkhead, with Removable Eyebolts for lifting |
| Weight | 260 lbs (at max) |
| Insulation Class | R (220°C), w/ 50°C Ambient, and Over-Temp Indicator Lamp |
| Temperature Rise | 140°C |
| Connections | Primary- Marathon Terminal Block P/N 39TB 03 F; Secondary- Marathon Terminal Block P/N 1423122 |

MECHANICAL DRAWING:



All dimensions are reference only and are stated in inches

AU-3P2201-2202