

POWER TRANSFORMER

ABS-NVR Certified, Shipboard Power Distribution

this application:



Espey continues to be a primary supplier of distribution transformers for Naval applications. This 3kVA unit is one of a family of transformers including units between 3kVA and 75kVA power throughput.

All the transformers in the family were certified through the ABS-NVR standards, specifically Part 3 Chapter 3 Section 4.

Features:

- 3kVA power distribution rated, natural convection cooled
- Drip-proof (IP22) and impact shock rated enclosure per MIL-S-901D
- Available Delta-Delta or Delta-Wye Configurations

Qualification:

- ABS-NVR
- MIL-STD-1399/300A, Type I
- MIL-S-901D, Grade A, Class I, Type A, unrestricted orientation
- MIL-E-15090, Type II, Class 2
- IEEE C57.12.01-1998
- IEC 60529, IP22

Power Transformer

Specifications:

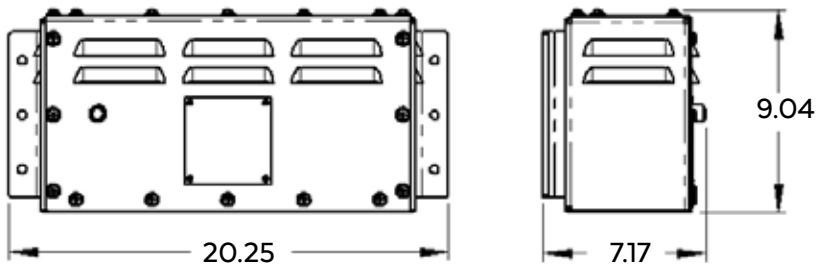
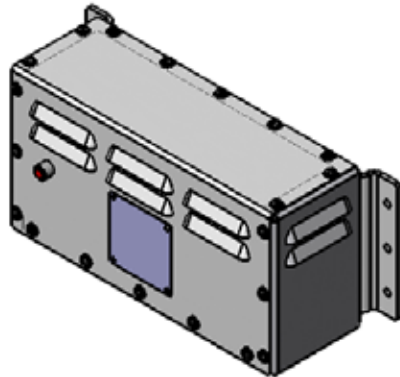
ELECTRICAL SPECIFICATIONS

Input Voltage	450VAC, 60 Hz
Output Voltage	208/120VAC, 60 Hz
Duty Cycle	Continuous
Dielectric Strength	4000VAC, 60Hz Winding to Core and Case
Regulation	at 0.8 PF- 3.5%; at 1.0 PF- 3%
Exciting Current	15% Max
Peak Inrush Current:	122 Amps Max
Other Available Ratings	9, 15, 22.5, 30 and 75 kVA

MECHANICAL SPECIFICATIONS

Mounting:	Bulkhead
Weight	65 lbs (at max)
Insulation Class	R (220°C), w/ 50°C Ambient and Over-Temp Indicator Lamp
Temperature Rise	120°C
Connections	Primary- Marathon Terminal Block P/N 39TB 03 F; Secondary- Marathon Terminal Block P/N 39 TB 04 F

MECHANICAL DRAWING:



All dimensions are reference only and are stated in inches

Transformer _ AU-3P301-302