

## POWER TRANSFORMER

ABS-NVR Certified, Shipboard Power Distribution

this application:



Espey continues to be a primary supplier of distribution transformers for Naval applications. This 9kVA unit is one of a family of transformers including units between 3kVA and 75kVA power throughput.

All the transformers in the family were certified through the ABS-NVR standards, specifically Part 3 Chapter 3 Section 4.

### Features:

- 9kVA Power Distribution Rated, Natural Convection Cooled
- Drip-proof (IP22) and Impact Shock Rated Enclosure per MIL-S-901D
- Available in Delta-Delta or Delta-Wye Configurations
- Qualification:
- ABS-NVR
- MIL-STD-1399/300A, Type I
- MIL-S-901D, Grade A, Class I, Type A, Unrestricted Orientation
- MIL-E-15090, Type II, Class 2
- IEEE C57.12.01-1998
- IEC 60529, IP22

# Filter Inductor

## Specifications:

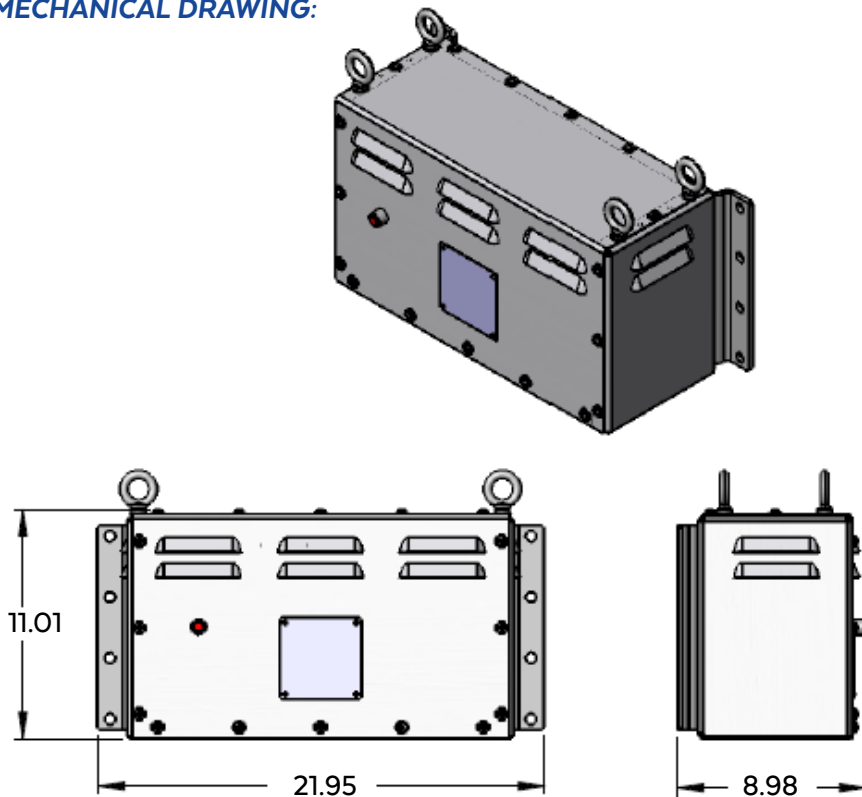
### ELECTRICAL SPECIFICATIONS

Input Voltage:	450VAC, 60 Hz
Output Voltage:	208/120VAC, 60 Hz
Duty Cycle:	Continuous
Dielectric Strength:	4000VAC, 60Hz Winding to Core and Case
Regulation:	at 0.8 PF- 3.5%; at 1.0 PF- 3%
Exciting Current:	5% Max
Peak Inrush Current:	302 Amps Max

### MECHANICAL SPECIFICATIONS

Mounting:	Bulkhead, with Removable Eyebolts for lifting
Weight:	135 lbs (at max)
Insulation Class:	R (220°C), w/ 50°C Ambient, and Over-Temp Indicator Lamp
Temperature Rise:	140°C
Connections:	Primary- Marathon Terminal Block P/N 39TB 03 F; Secondary- Marathon Terminal Block P/N 604 GP 04 F

### MECHANICAL DRAWING:



All dimensions are reference only and are stated in inches

AU-3P-901-902