

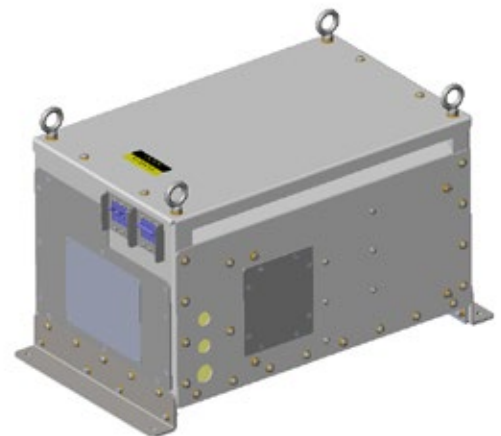
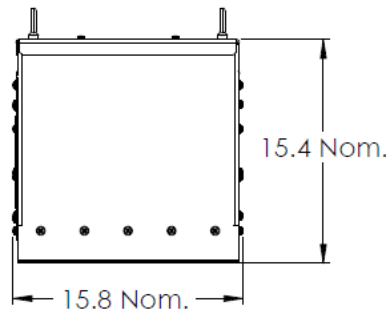
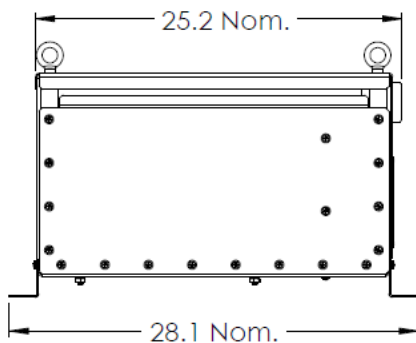
Specifications:

ELECTRICAL SPECIFICATIONS

- RATING: 30kVA AT 30°C
- INPUT:
 - Primary Winding: Delta Connection (H1, H2, H3)
 - Frequency: 50/60HZ ($\pm 5\%$)
 - Impedance: 5.0% PU MAX AT 60HZ
 - Efficiency: .95MIN AT RATED kVA, Load Power Factor of .80 Lagging
 - Dielectric Withstand Voltage: 4000VRMS, 60HZ, 1 Minute
- OUTPUT:
 - Secondary Winding: Wye Connection
 - Voltage: 208V/120V (+4/-4%) at Full Load 83A (30kVA), .85
 - Dielectric Withstand Voltage: 2500VRMS, 60HZ, 1 Minute
- ISULATION SYSTEM: 220°C
- AUDIBLE SOUND LEVEL: 45dB Maximum at Rated Voltage and Frequency With No-Load
- Altitude: Up to 15,000 feet
- Temperature Rise: 130°C

MECHANICAL SPECIFICATIONS

- UNIT WEIGHT: 365 LBS
- ENCLOSURE: Ventilated, Carbon Steel, Painted per MIL-E-917
- Cooling: Natural convection



All dimensions are reference only and are stated in inches